

ROTOR BEARING SUPPORTS  
FOR WIND TURBINES

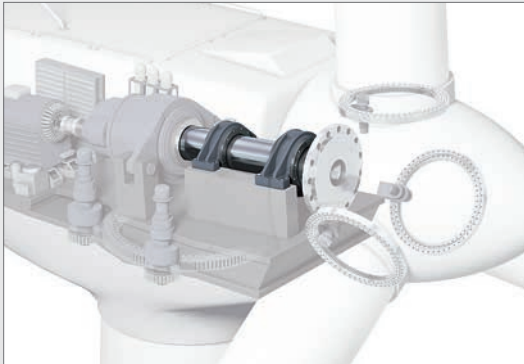
# Asymmetric Spherical Roller Bearings



**FAG**

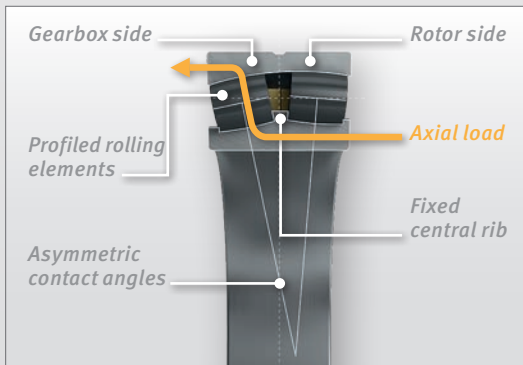
**SCHAEFFLER**

## Asymmetric FAG spherical roller bearings



### Reliable rotor bearing supports

As a development partner to the wind turbine industry, we have been producing bearing supports for this sector for over 30 years. In partnership with our customers, we develop the most efficient bearing support for every application. The bearing support of the rotor shaft is of central importance in wind turbines. This is where all the forces act that are induced by the wind. We have consistently further developed our proven spherical roller bearings in order to increase the operating life even further.



### Product characteristics

- Asymmetric contact angles
- Adjusted internal clearance
- Profiled rolling elements
- Rigid central rib

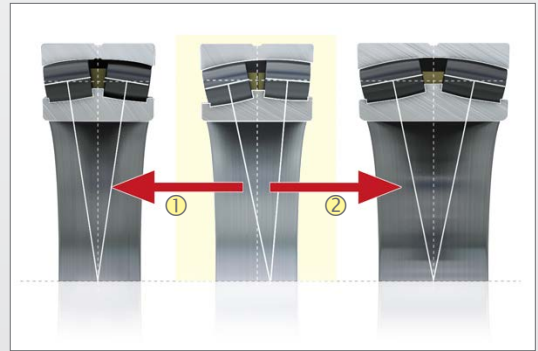
### Optional customer-specific features

- Rolling elements coated with Triondur C
- Durotect B coating
- Inner ring bore diameter can be adjusted for shaft reconditioning

## ROTOR BEARING SUPPORTS FOR WIND TURBINES

### Advantages

- Optimum normal operation and robustness under extreme conditions due to balanced design with identical, profiled rolling elements in both bearing rows
- Reduced vibrations in the drive train due to increased axial rigidity
- Increased robustness due to reduction of parameters for contact pressure and wear
- Increased axial load carrying capacity due to asymmetric contact angles
- Interchangeable with standard bearings as they have the same dimensions



### Customer benefits

- Longer operating life thanks to higher performance capability in the same design envelope ①
- Downsizing is possible thanks to the same performance capability in a smaller design envelope ②
- Lower levelized costs of electricity (LCOE)

Detailed information can be found in TPI 251.

## **Schaeffler Technologies AG & Co. KG**

Georg-Schaefer-Straße 30  
97421 Schweinfurt  
Germany

Internet [www.schaeffler.com](http://www.schaeffler.com)  
E-mail [info.de@schaeffler.com](mailto:info.de@schaeffler.com)

Every care has been taken to ensure the correctness of the information contained in this publication but no liability can be accepted for any errors or omissions. We reserve the right to make technical changes.

© Schaeffler Technologies AG & Co. KG  
Issued: 2018, August

This publication or parts thereof may not be reproduced without our permission.